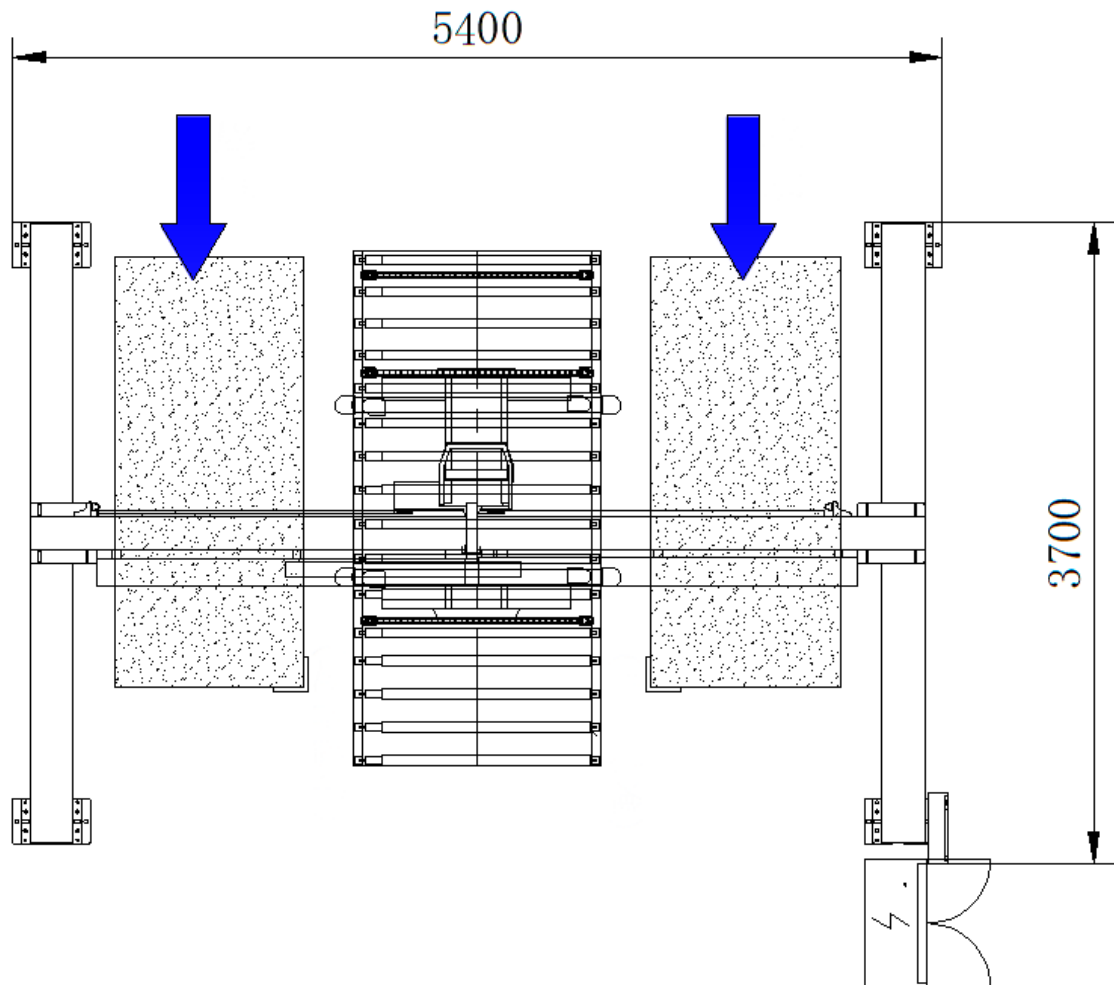


LAYOUT



KHG-250 : 5400L*3700W*4400H mm